



Obsolescence Notice

This product is obsolete.

This information is available for your convenience only.

For more information on Zarlink's obsolete products and replacement product lists, please visit http://products.zarlink.com/obsolete_products/

ZN705E

CRYSTAL CONTROLLED OSCILLATOR CIRCUIT

The ZN705E is a square wave oscillator designed to be used with AT cut crystals which have a low effective series resistance.

A master oscillator feeds a two stage divider giving $f/2$ and $f/4$ outputs. Complementary outputs are also provided.

FEATURES

- Operate upto 10MHz
- Low crystal drive required, suitable for AT cut types
- $f/2$, $f/4$ and antiphase outputs
- TTL compatible
- Single 5V supply
- 14 pin moulded plastic
- Replaces SP705/B/DG

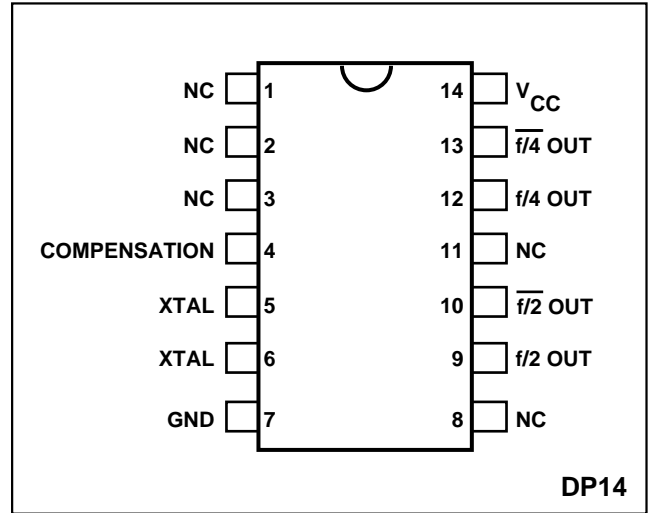


Fig.1 Pinout

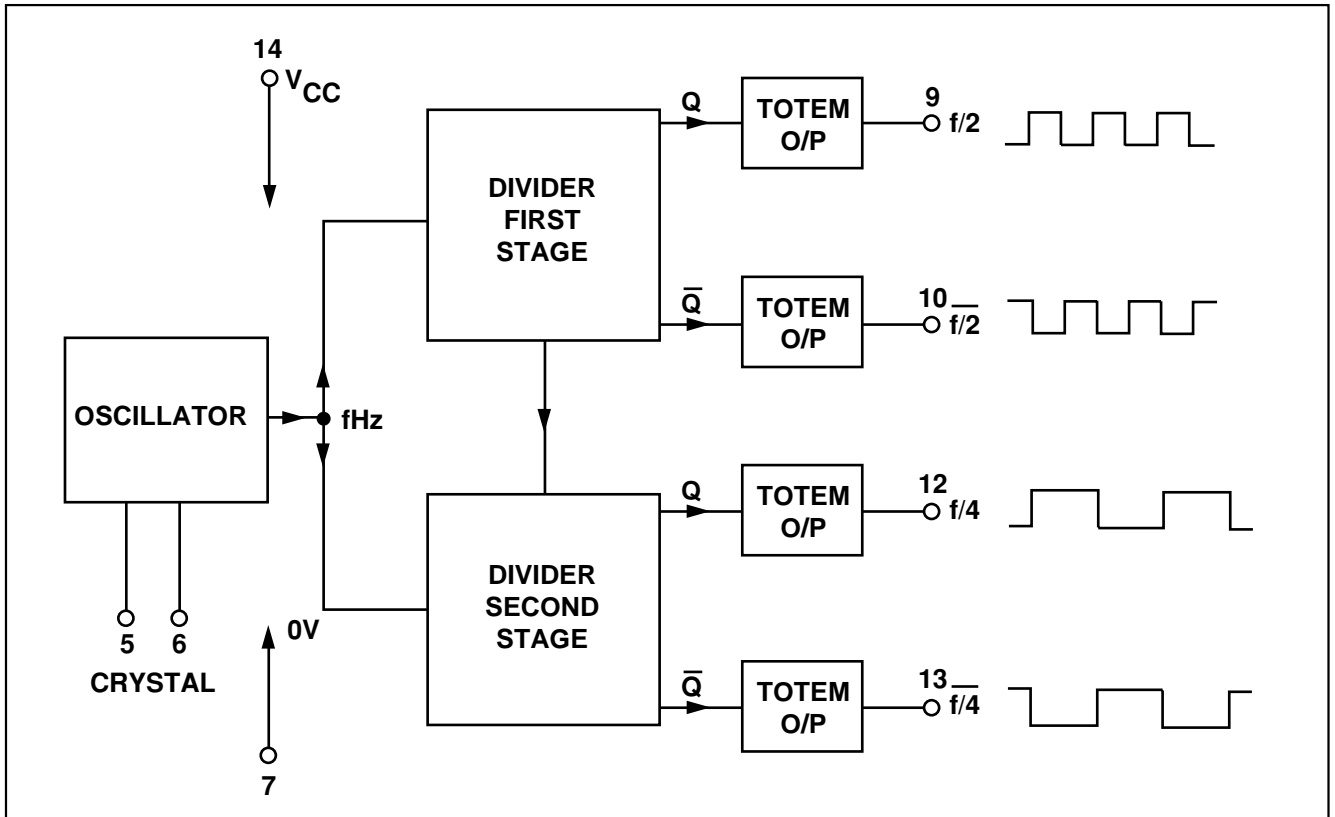


Fig.2 System diagram

ZN705E

ABSOLUTE MAXIMUM RATINGS (see note 1)

Supply voltage, V_{CC}	7.0V
Operating supply range	$5.0 \pm 0.25V$
Input voltage, V_{IN} (see note 2)	-0.3 to 7.0V
Current sink	16mA
Operating temperature range	0°C to +70°C
Storage temperature range	-55°C to +150°C

DC CHARACTERISTICS

These characteristics are guaranteed over the following conditions unless otherwise stated.

Parameter	Symbol	Pins	Min.	Typ.	Max.	Units.	Conditions
Supply current	I_{CC}				35	mA	$V_{CC} = 5.0V$
Low level output voltage	V_{OL}	9, 10, 12, 13			0.4	V	$V_{CC} = 5.25V, I_{OL} = 8mA$ see Fig.3
High level output voltage	V_{OH}	9, 10, 12, 13	2.6			V	$V_{CC} = 4.75V, I_{OH} = 0.2mA$ see Fig.3

AC CHARACTERISTICS

These characteristics are guaranteed over the following conditions unless otherwise stated.

Parameter	Symbol	Pins	Min.	Typ.	Max.	Units.	Conditions
Crystal frequency	f_C	5, 6			10	MHz	
Output rise time	t_R	9, 10, 12, 13			20	ns	$V_{CC} = 5.0V$, see Fig.3
Output fall time	t_F	9, 10, 12, 13			20	ns	$V_{CC} = 5.0V$, see Fig.3

Note.1 The absolute maximum ratings are limiting values above which operating life may be shortened or specific parameters degraded.

Note.2 V_{IN} = voltage on any input relative to pin 7.

Functional description (by pin number)

1, 2, 3, 8, 11 Not connected

4 Compensation

External compensation point. A capacitor may be connected between this pin and V_{CC} to prevent unwanted high frequency oscillations. A 14pF capacitor is included on-chip for compensation and this may be sufficient for most applications.

5,6 Crystal

The crystal is connected, in series, with a 20pF capacitor, between these pins. Small frequency changes may be made by exchanging the capacitor for a mechanical trimmer.

7 Ground

9 $f/2$

$f/2$ output TTL compatible totem pole output, frequency equal to half that of the crystal.

10 $\bar{f}/2$

Inverse function of pin 9.

12 $f/4$

$f/4$ output TTL compatible totem pole output, frequency equal to one quarter that of the crystal.

13 $\bar{f}/4$

Inverse function of pin 12.

14 V_{CC}

Positive supply connection.

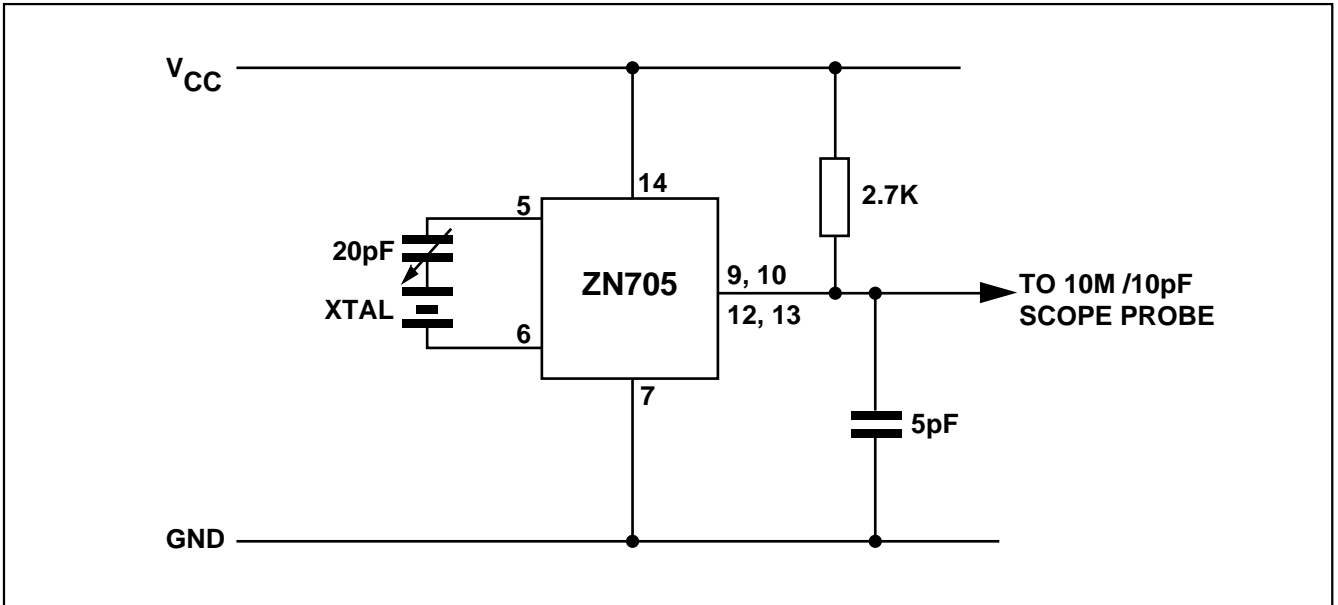


Fig.3 Test circuit (All outputs)

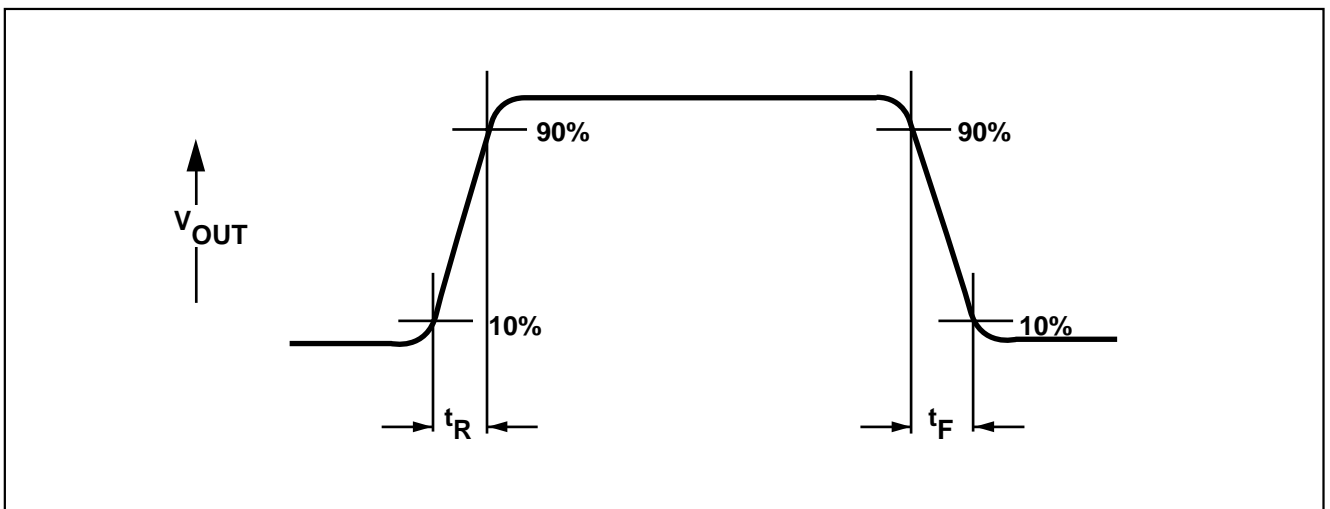
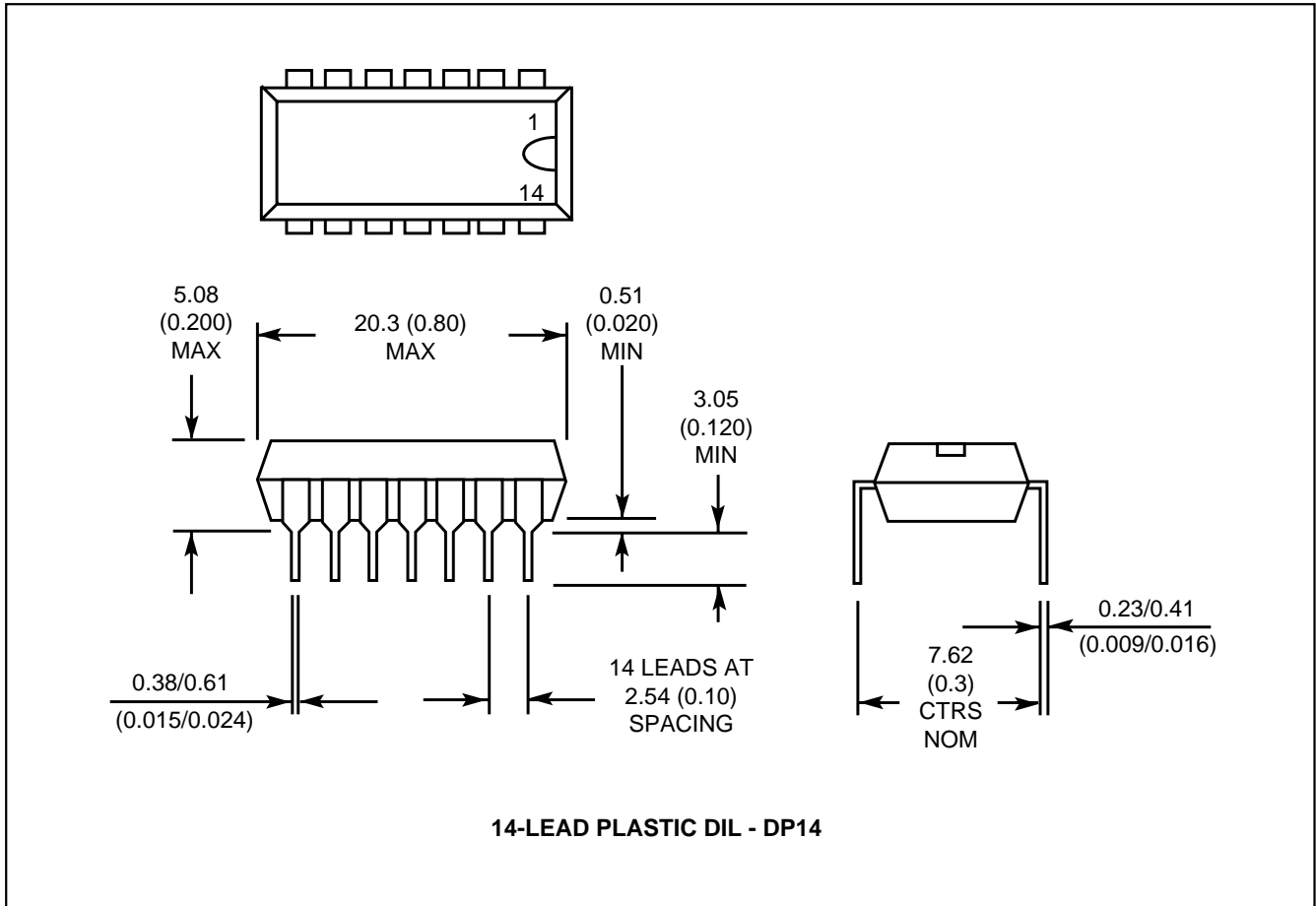


Fig.4

ZN705E

PACKAGE DETAILS

Dimensions are shown thus: mm (in).



HEADQUARTERS OPERATIONS
GEC PLESSEY SEMICONDUCTORS
Cheney Manor, Swindon,
Wiltshire SN2 2QW, United Kingdom.
Tel: (0793) 518000 Tx: 449637
Fax: (0793) 518411

GEC PLESSEY SEMICONDUCTORS
Sequoia Research Park, 1500 Green Hills Road,
Scotts Valley, California 95066,
United States of America. Tel (408) 438 2900
ITT Telex: 4940840 Fax: (408) 438 5576

CUSTOMER SERVICE CENTRES

- **FRANCE & BENELUX** Les Ulis Cedex Tel: (1) 64 46 23 45 Tx: 602858F
Fax : (1) 64 46 06 07
- **GERMANY** Munich Tel: (089) 3609 06-0 Tx: 523980 Fax : (089) 3609 06-55
- **ITALY** Milan Tel: (02) 66040867 Fax: (02) 66040993
- **JAPAN** Tokyo Tel: (03) 3296-0281 Fax: (03) 3296-0228
- **NORTH AMERICA Integrated Circuits and Microwave Products** Scotts Valley, USA
Tel (408) 438 2900 ITT Tx: 4940840 Fax: (408) 438 7023.
Hybrid Products, Farmingdale, USA Tel (516) 293 8686
Fax: (516) 293 0061.
- **SOUTH EAST ASIA** Singapore Tel: (65) 3827708 Fax: (65) 3828872
- **SWEDEN** Stockholm, Tel: 46 8 702 97 70 Fax: 46 8 640 47 36
- **UNITED KINGDOM & SCANDINAVIA**
Swindon Tel: (0793) 518510 Tx: 444410 Fax : (0793) 518582

These are supported by Agents and Distributors in major countries world-wide.

© GEC Plessey Semiconductors 1993 Publication No. DS3744 Issue No. 1.1 January 1993

This publication is issued to provide information only which (unless agreed by the Company in writing) may not be used, applied or reproduced for any purpose nor form part of any order or contract nor to be regarded as a representation relating to the products or services concerned. No warranty or guarantee express or implied is made regarding the capability, performance or suitability of any product or service. The Company reserves the right to alter without prior knowledge the specification, design or price of any product or service. Information concerning possible methods of use is provided as a guide only and does not constitute any guarantee that such methods of use will be satisfactory in a specific piece of equipment. It is the user's responsibility to fully determine the performance and suitability of any equipment using such information and to ensure that any publication or data used is up to date and has not been superseded. These products are not suitable for use in any medical products whose failure to perform may result in significant injury or death to the user. All products and materials are sold and services provided subject to the Company's conditions of sale, which are available on request.